

United States Of America
Department of Transportation - Federal Aviation Administration
Supplemental Type Certificate

Number SH194WE

This Certificate issued to Hartzell Engine Technologies LLC
2900 Selma Highway
Montgomery, Alabama 36108

certifies that the change in the type design for the following product with the limitations and conditions therefor as specified hereon meets the airworthiness requirements of Part 6 of the Civil Air Regulations.

Original Product Type Certificate Number: 2H1
Make Bell
Model 47J, 47J2, 47J2A, 47K

Description of Type Design Change: Installation of a Jasco Alternator Part No. 7555-1 24-volt system per FAA Approved Skytronics, Inc. Top Drawing 30162H1, Revision "A" or later FAA approved revision.

Limitations and Conditions: The approval should not be extended to other aircraft of these models on which other previously approved modifications are incorporated unless it is determined by the installer that the interrelationship between this change and any of those other previously approved modifications will introduce no adverse effect upon the airworthiness of that aircraft. The approval of this modification applies to the above noted aircraft model(s) series only. A copy of this STC must be included in the permanent records of the modified aircraft. If the holder agrees to permit another person to use this certificate to alter the product, the holder shall give the other person written evidence of that permission.

This certificate and the supporting data which is the basis for approval shall remain in effect until surrendered, suspended, revoked or a termination date is otherwise established by the Administrator of the Federal Aviation Administration.

Date of application: October 29, 1976

Date reissued: March 6, 2014

Date of issuance: November 18, 1976

Date amended: July 3, 1979

By direction of the Administrator



Haifa Haj-Eid
(Signature)

Haifa Haj-Eid, Supervisor, Technical &
Administrative Support Staff
Los Angeles Aircraft Certification Office
(Title)

Any alteration of this certificate is punishable by a fine of not exceeding \$1,000, or imprisonment not exceeding 3 years, or both.

2

1

SPECIFICATION CLASSIFICATION		
CLASSIFICATION	DIMENSION CONVENTION	NOTE NO CONVENTION
CRITICAL	<XX XX>	<# >
MAJOR	[XX XX]	[#]
MINOR	XX XX	#
REFERENCE	{XX XX}	{#}

REVISIONS				
EN	REV.	DESCRIPTION	BY	DATE
1401078	D	1) REDRAWN IN SOLIDWORKS; 2) FIRST RELEASE INTO HET DESIGN DATA; 3) REPLACED TITLE BLOCK WITH HET TITLE BLOCK	EAB	01/23/14
1403013	E	1) REMOVED OBSOLETE INFORMATION PER REDLINE; 2) REMOVED REV INFORMATION PER REDLINE	EAB	03/06/14

FAA APPROVED

MAR 21 2014 CR



CHICAGO AIRCRAFT
CERTIFICATION OFFICE
CENTRAL REGION

NOTES:

1. AS OF 3/28/79, TOP DRAWING TD30162H1 REPLACES TOP DRAWING 3016, DATED JULY 6, 1976. ALL KITS PREVIOUSLY APPROVED UNDER TOP DRAWING TD3016 CAN BE USED AS OPTIONS.

JASCO ALTERNATOR SYSTEM KIT 7555-1 (24V-50AMP)

FOR INSTALLATION ON BELL 47J; 47J2; 47J2A; 47K

INSTALLATION DRAWING ID47 
INSTALLATION INSTRUCTION AND DRAWING P1005 
DRAWING: P/N 685 ADAPTER

UNLESS OTHERWISE SPECIFIED
DIMENSIONS ARE IN INCHES AND APPLY AFTER HEAT TREAT AND PLATING
.X = ±.015
.XX = ±.010 ANGLES ±1°
.XXX = ±.005
BREAK ALL EDGES AND MACHINE ALL INSIDE CORNER FILLETS .015 MAX.
SURFACE FINISH $\sqrt{125}$
THIS DRAWING CONTAINS INFORMATION THAT IS CONFIDENTIAL AND PROPRIETARY TO HARTZELL ENGINE TECHNOLOGIES. THIS DRAWING IS FURNISHED ON THE UNDERSTANDING THAT THE DRAWING AND THE INFORMATION IT CONTAINS WILL NOT BE COPIED OR DISCLOSED TO OTHERS EXCEPT WITH THE WRITTEN CONSENT OF HARTZELL ENGINE TECHNOLOGIES, AND WILL BE RETURNED UPON REQUEST BY HARTZELL ENGINE TECHNOLOGIES.

GEOMETRIC SYMBOLS PER ANSI Y14.5	
	FLATNESS
	STRAIGHTNESS
	ROUNDNESS
	CYLINDRICITY
	PROFILE
	PERPENDICULARITY
	POSITION
	CONCENTRICITY
	SYMMETRY
	ANGULARITY
	PARALLELISM
	CIRCULAR RUNOUT
	TOTAL RUNOUT
SCALE	1:1

DRAWN	EAB	01/23/14
CHECKED	<i>LWE</i>	<i>3/17/14</i>
ENG.	<i>CMB</i>	<i>3/18/14</i>
FINISH	N/A	
WEIGHT	N/A lbs	
MATERIAL	N/A	
SIZE	SH 1	CODE ID
A	OF 1	65PY1



TOP DRAWING -
JASCO ALTERNATOR
SYSTEM 7555-1 (24V-50AMP)

DRAWING NO. TD30162H1	REV. E
--------------------------	-----------

2

1

2

1

SPECIFICATION CLASSIFICATION		
CLASSIFICATION	DIMENSION CONVENTION	NOTE NO. CONVENTION
CRITICAL	<XX.XX>	<#>
MAJOR	[XX.XX]	[#]
MINOR	XX.XX	#
REFERENCE	(XX.XX)	(#)

REVISIONS				
EN	REV.	DESCRIPTION	BY	DATE
1403035	NEW	INITIAL RELEASE	EAB	03/13/14

B

B

THE ALTERNATOR SYSTEM KIT 7555-1 CONSISTS OF:

- 1 EA. 7555 BASIC ALTERNATOR
- 1 EA. J12M24SP VOLTAGE REGULATOR
- 1 EA. 17-10 OR 17-1 RESISTOR

User is responsible for verification of current revision before using this document. Document considered "reference only" if not the current revision.

A

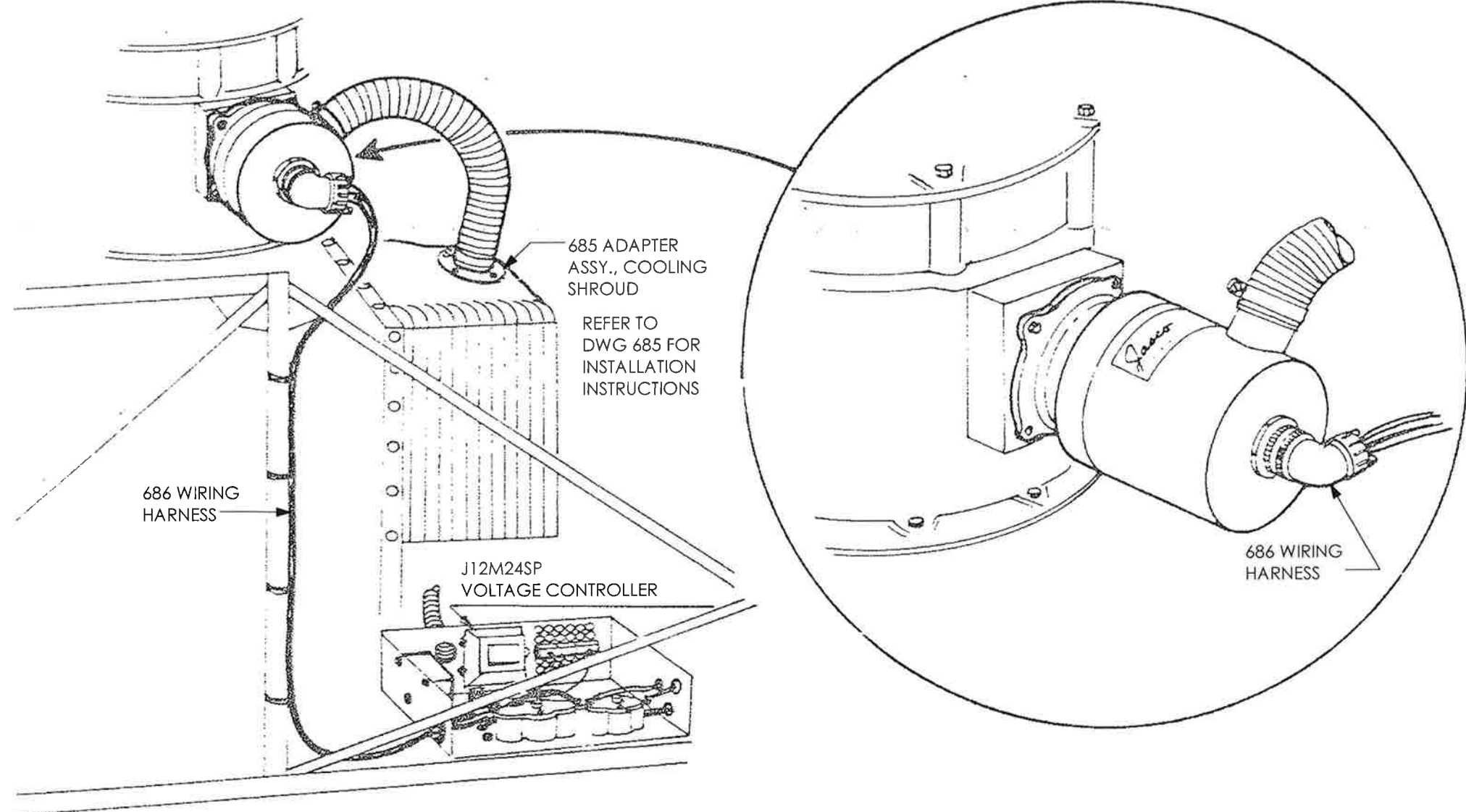
A

UNLESS OTHERWISE SPECIFIED DIMENSIONS ARE IN INCHES AND APPLY AFTER HEAT TREAT AND PLATING .X = ±.015 .XX = ±.010 ANGLES ±1° .XXX = ±.005 BREAK ALL EDGES AND MACHINE ALL INSIDE CORNER FILLETS .015 MAX. SURFACE FINISH $\sqrt{125}$	GEOMETRIC SYMBOLS PER ANSI Y14.5 	DRAWN EAB 03/13/14	
		CHECKED <i>PBH</i> 03/17/14	
		ENG. <i>CMB</i> 3/18/14	
		FINISH N/A	
		WEIGHT N/A lbs	
		MATERIAL N/A	JASCO ALTERNATOR SYSTEM KIT (24V, 50A)
	SCALE 1:1	SIZE SH 1 OF 1 CODE ID 65PY1	DRAWING NO. 7555-1 REV. NEW

2

1

REVISIONS				
EN	REV.	DESCRIPTION	BY	DATE
1403020	A	1) REDRAWN IN SOLIDWORKS; 2) FIRST RELEASE INTO HET DESIGN DATA; 3) REPLACED TITLE BLOCK WITH HET TITLE BLOCK	EAB	03/07/14



User is responsible for verification of current revision before using this document. Document considered "reference only" if not the current revision.

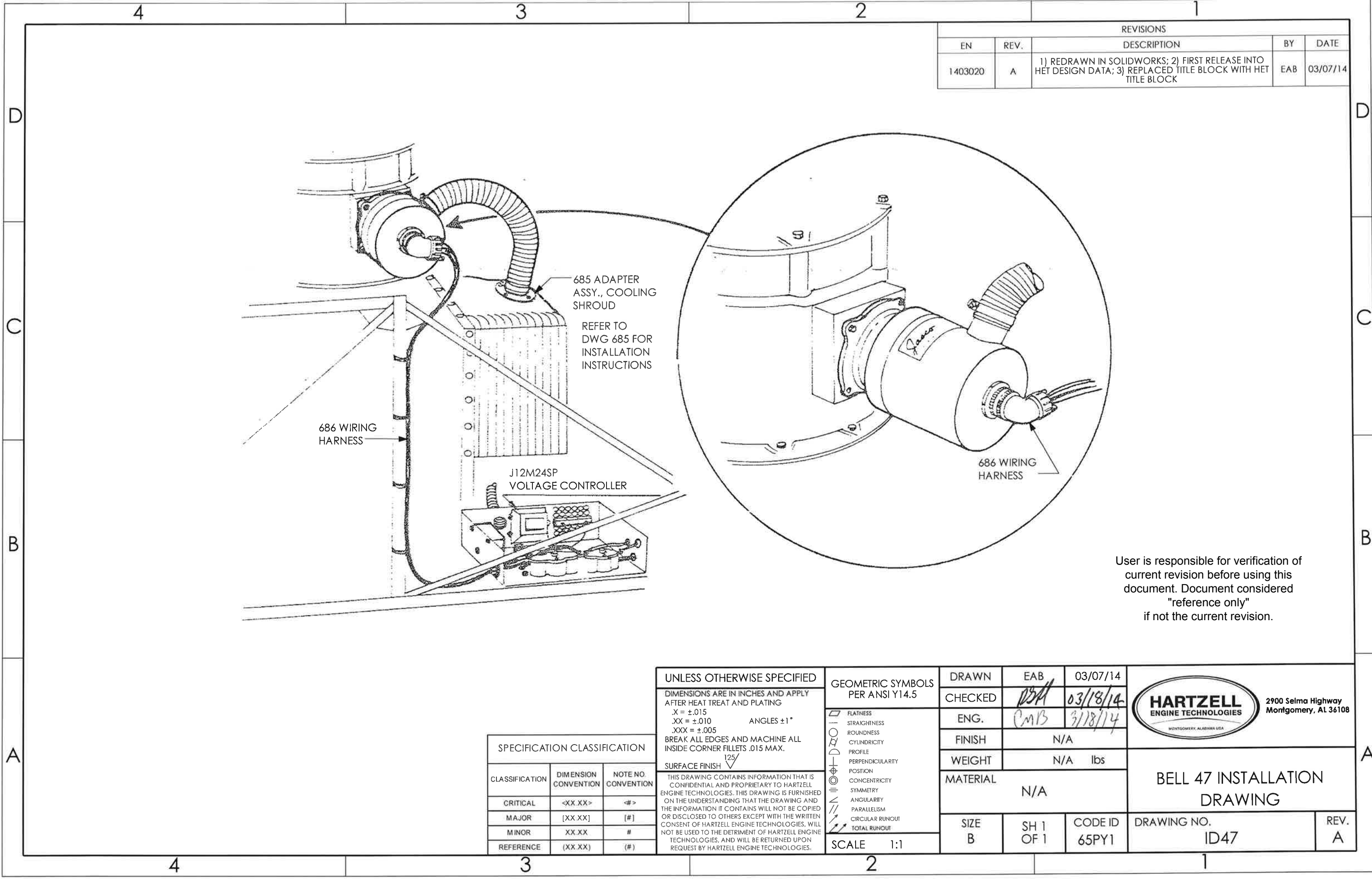
SPECIFICATION CLASSIFICATION		
CLASSIFICATION	DIMENSION CONVENTION	NOTE NO. CONVENTION
CRITICAL	<XX XX>	<#>
MAJOR	[XX XX]	[#]
MINOR	XX.XX	#
REFERENCE	(XX.XX)	(#)

UNLESS OTHERWISE SPECIFIED
 DIMENSIONS ARE IN INCHES AND APPLY AFTER HEAT TREAT AND PLATING
 .X = ±.015
 .XX = ±.010 ANGLES ±1°
 .XXX = ±.005
 BREAK ALL EDGES AND MACHINE ALL INSIDE CORNER FILLETS .015 MAX.
 SURFACE FINISH $\sqrt{125}$
 THIS DRAWING CONTAINS INFORMATION THAT IS CONFIDENTIAL AND PROPRIETARY TO HARTZELL ENGINE TECHNOLOGIES. THIS DRAWING IS FURNISHED ON THE UNDERSTANDING THAT THE DRAWING AND THE INFORMATION IT CONTAINS WILL NOT BE COPIED OR DISCLOSED TO OTHERS EXCEPT WITH THE WRITTEN CONSENT OF HARTZELL ENGINE TECHNOLOGIES. WILL NOT BE USED TO THE DETRIMENT OF HARTZELL ENGINE TECHNOLOGIES, AND WILL BE RETURNED UPON REQUEST BY HARTZELL ENGINE TECHNOLOGIES.

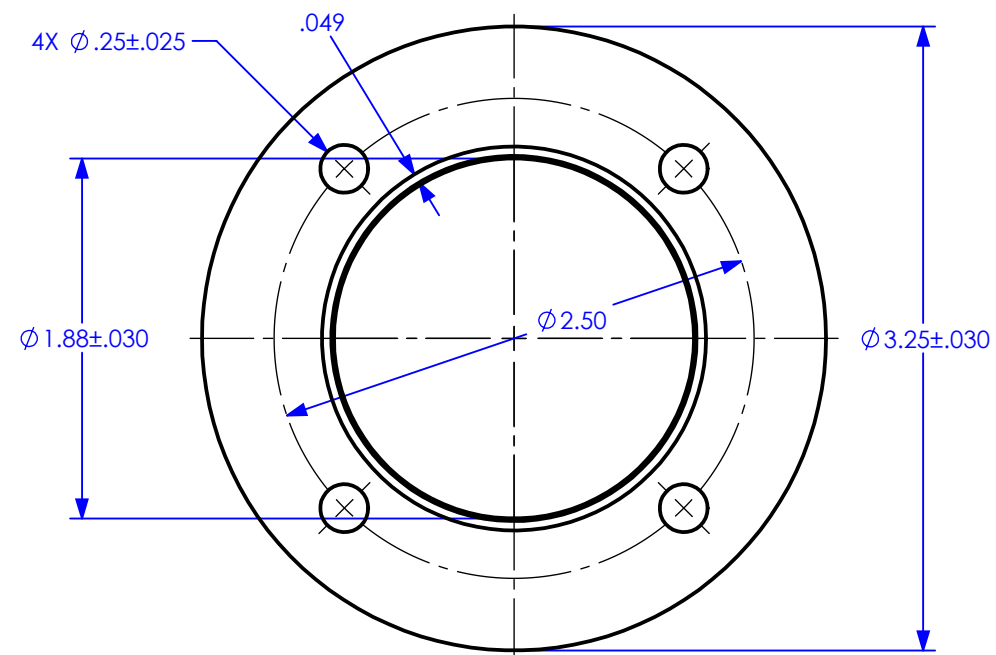
GEOMETRIC SYMBOLS PER ANSI Y14.5	
	FLATNESS
	STRAIGHTNESS
	ROUNDNESS
	CYLINDRICITY
	PROFILE
	PERPENDICULARITY
	POSITION
	CONCENTRICITY
	SYMMETRY
	ANGULARITY
	PARALLELISM
	CIRCULAR RUNOUT
	TOTAL RUNOUT

DRAWN	EAB	03/07/14
CHECKED	<i>DBA</i>	03/18/14
ENG.	<i>CMB</i>	3/18/14
FINISH	N/A	
WEIGHT	N/A lbs	
MATERIAL	N/A	
SIZE	SH 1 OF 1	CODE ID 65PY1

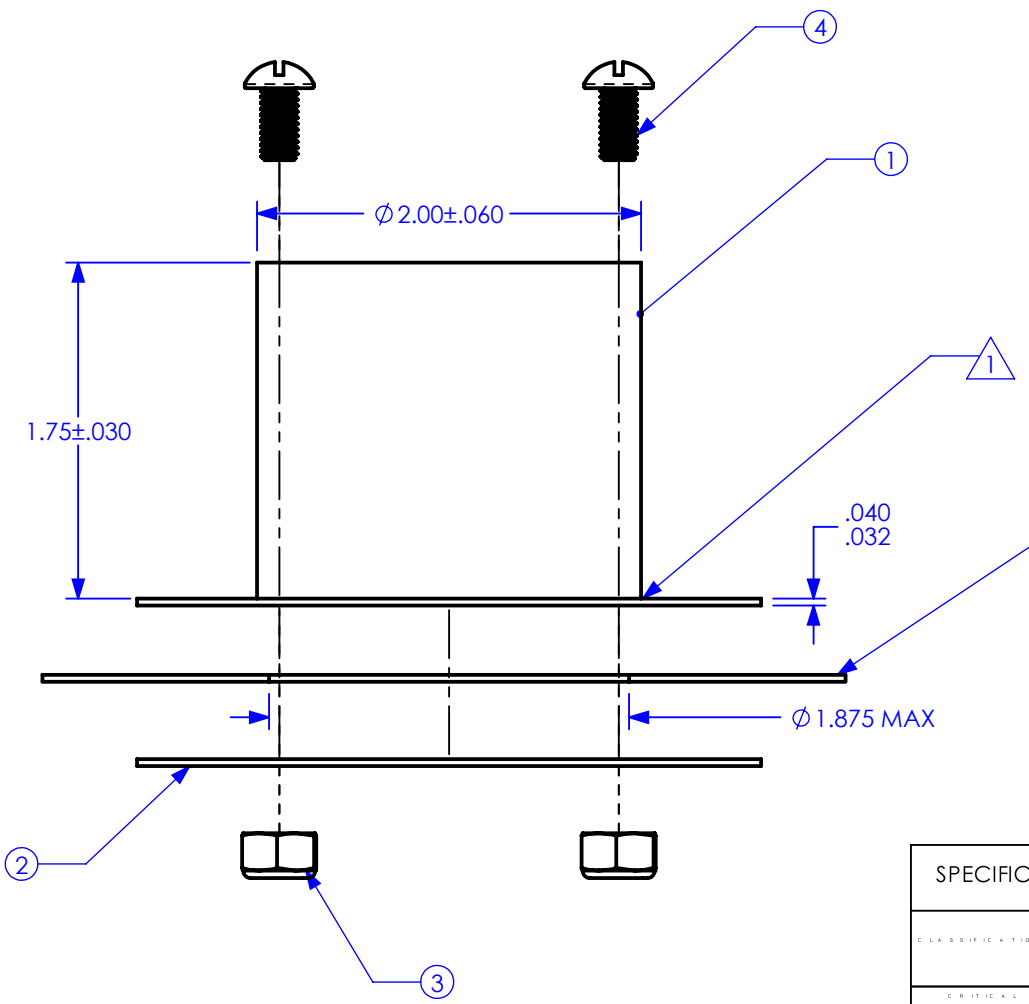
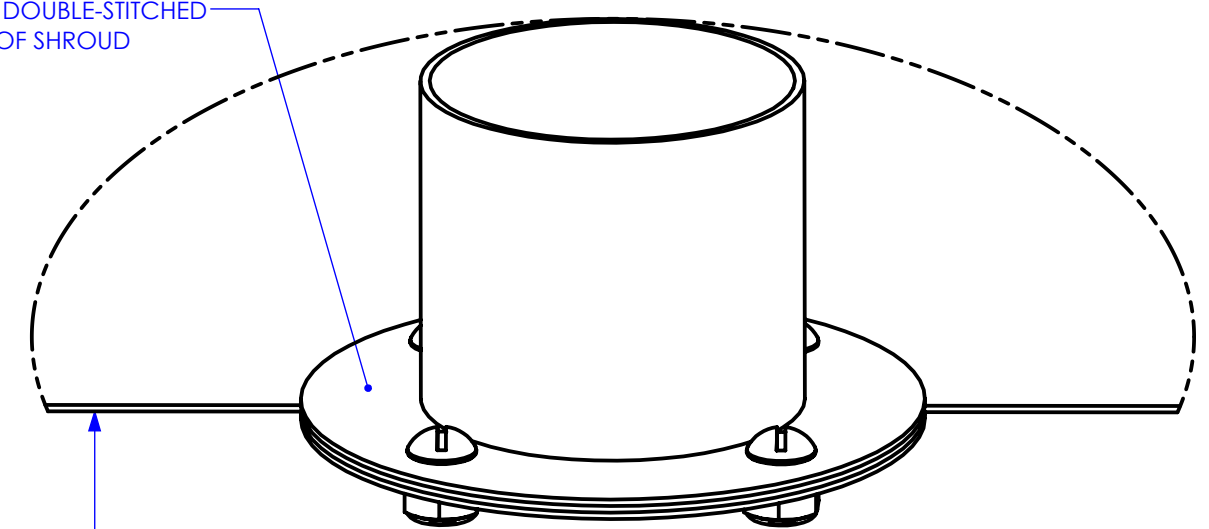
		2900 Selma Highway Montgomery, AL 36108
BELL 47 INSTALLATION DRAWING		
DRAWING NO.	REV.	
ID47	A	



REVISIONS				
EN	REV.	DESCRIPTION	BY	DATE
1403021	A	1) MODELED AND REDRAWN IN SOLIDWORKS; 2) FIRST RELEASE INTO HET DESIGN DATA; 3) REPLACED TITLE BLOCK WITH HET TITLE BLOCK; 4) ADDED BOM; 5) REVISED WELD NOTE PER REDLINE; 6) ADDED NOTE 2 PER REDLINE; 7) ADDED TOLERANCES PER REDLINE	EAB	03/10/14



LOCATE ADAPTER
INSIDE DOUBLE-STITCHED
AREA OF SHROUD



NOTES:

- WELD PER SPEC AWS D17.1.
- PAINT: COMMERCIAL SPRAY EPOXY, BLACK

ITEM NO.	PART NUMBER	DESCRIPTION	QTY.
4	AN520-10-6	SCREW, MACHINE	4
3	AN365-1032	NUT, ELASTIC STOP	4
2	41118	BASE, COOLING SHROUD	2
1	41117	TUBE, COOLING SHROUD	1

UNLESS OTHERWISE SPECIFIED
DIMENSIONS ARE IN INCHES AND APPLY AFTER HEAT TREAT AND PLATING
.X = ±.015
.XX = ±.010
.XXX = ±.005
BREAK ALL EDGES AND MACHINE ALL INSIDE CORNER FILLETS .015 MAX.
SURFACE FINISH $\sqrt{125}$

THIS DRAWING CONTAINS INFORMATION THAT IS CONFIDENTIAL AND PROPRIETARY TO HARTZELL ENGINE TECHNOLOGIES. THIS DRAWING IS FURNISHED ON THE UNDERSTANDING THAT THE DRAWING AND THE INFORMATION IT CONTAINS WILL NOT BE COPIED OR DISCLOSED TO OTHERS EXCEPT WITH THE WRITTEN CONSENT OF HARTZELL ENGINE TECHNOLOGIES. WILL NOT BE USED TO THE DETRIMENT OF HARTZELL ENGINE TECHNOLOGIES, AND WILL BE RETURNED UPON REQUEST BY HARTZELL ENGINE TECHNOLOGIES.

GEOMETRIC SYMBOLS PER ANSI Y14.5
FLATNESS
STRAIGHTNESS
ROUNDNESS
CYLINDRICITY
PROFILE
PERPENDICULARITY
POSITION
CONCENTRICITY
SYMMETRY
ANGULARITY
PARALLELISM
CIRCULAR RUNOUT
TOTAL RUNOUT

DRAWN	EAB	03/14/14
CHECKED		
ENG.		
FINISH	SEE NOTE 2	
WEIGHT	(0.533) lbs	
MATERIAL	SEE INDIVIDUAL COMPONENTS	
SIZE B	SH 1 OF 1	CODE ID 65PY1



COOLING SHROUD ADAPTER ASSEMBLY	
DRAWING NO.	REV.
685	A

SPECIFICATION CLASSIFICATION		
CLASSIFICATION	DIMENSION CONVENTION	NOTE NO. CONVENTION
CRITICAL	XXX.XX	1,2
MAJOR	XXX.X	1,2
MINOR	XXX	1,2
REFERENCE	XXX	1,2

2

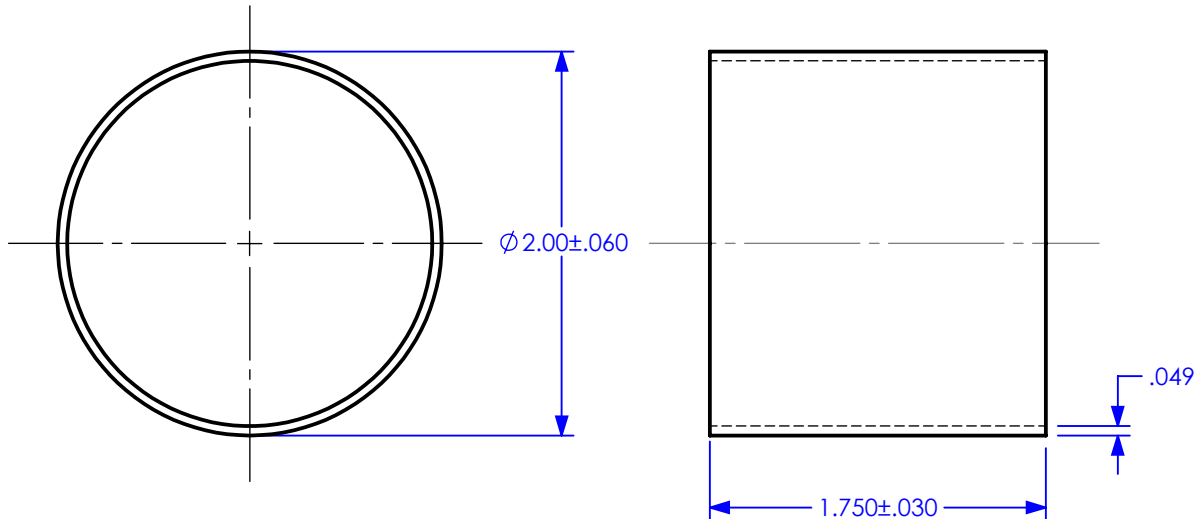
1

SPECIFICATION CLASSIFICATION

CLASSIFICATION	DIMENSION CONVENTION	NOTE NO. CONVENTION
CRITICAL	XXXXXX	101
MAJOR	XXXXX	102
MINOR	XXXX	0
REFERENCE	XXXXX	101

REVISIONS

EN	REV.	DESCRIPTION	BY	DATE
1403022	NEW	INITIAL RELEASE	EAB	03/14/14



B

B

A

A

UNLESS OTHERWISE SPECIFIED

DIMENSIONS ARE IN INCHES AND APPLY AFTER HEAT TREAT AND PLATING
 .X = ±.015
 .XX = ±.010 ANGLES ±1°
 .XXX = ±.005
 BREAK ALL EDGES AND MACHINE ALL INSIDE CORNER FILLETS .015 MAX.
 SURFACE FINISH 125/√

THIS DRAWING CONTAINS INFORMATION THAT IS CONFIDENTIAL AND PROPRIETARY TO HARTZELL ENGINE TECHNOLOGIES. THIS DRAWING IS FURNISHED ON THE UNDERSTANDING THAT THE DRAWING AND THE INFORMATION IT CONTAINS WILL NOT BE COPIED OR DISCLOSED TO OTHERS EXCEPT WITH THE WRITTEN CONSENT OF HARTZELL ENGINE TECHNOLOGIES. WILL NOT BE USED TO THE DETRIMENT OF HARTZELL ENGINE TECHNOLOGIES, AND WILL BE RETURNED UPON REQUEST BY HARTZELL ENGINE TECHNOLOGIES.

GEOMETRIC SYMBOLS PER ANSI Y14.5

- FLATNESS
- STRAIGHTNESS
- ROUNDNESS
- CYLINDRICITY
- PROFILE
- PERPENDICULARITY
- POSITION
- CONCENTRICITY
- SYMMETRY
- ANGULARITY
- PARALLELISM
- CIRCULAR RUNOUT
- TOTAL RUNOUT

SCALE 1:1

DRAWN EAB 03/14/14

CHECKED

ENG.

FINISH N/A

WEIGHT 0.148 lbs

MATERIAL STEEL

SIZE A

SH 1 OF 1

CODE ID 65PY1



2900 Selma Highway
 Montgomery, AL 36108

TUBE, COOLING SHROUD

DRAWING NO.

41117

REV.

NEW

2

1

2

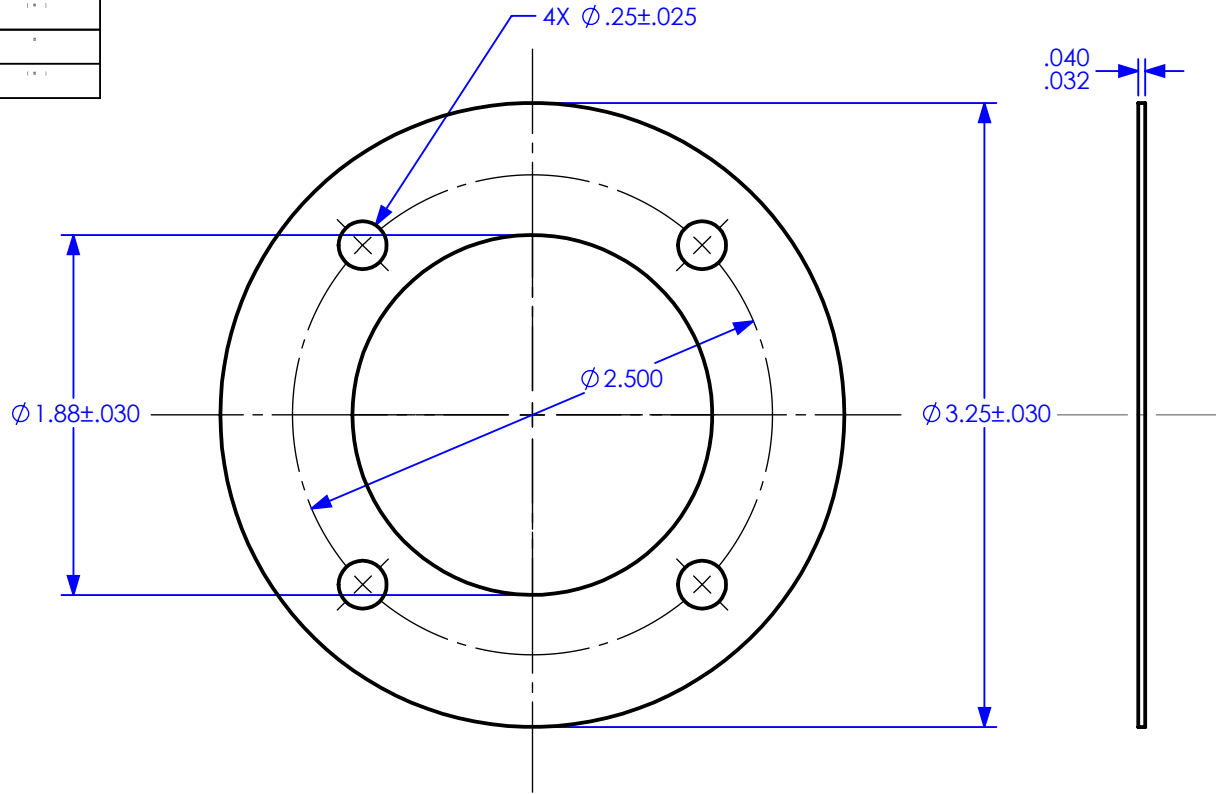
1

SPECIFICATION CLASSIFICATION

CLASSIFICATION	DIMENSION CONVENTION	NOTE NO. CONVENTION
CRITICAL	XXX.XXX	(*)
MAJOR	XX.XXX	(*)
MINOR	XX.XX	*
REFERENCE	(X.XXX)	(*)

REVISIONS

EN	REV.	DESCRIPTION	BY	DATE
1403023	NEW	INITIAL RELEASE	EAB	03/14/14




B

B

A

A

<p>UNLESS OTHERWISE SPECIFIED</p> <p>DIMENSIONS ARE IN INCHES AND APPLY AFTER HEAT TREAT AND PLATING</p> <p>.X = ±.015 .XX = ±.010 .XXX = ±.005</p> <p>ANGLES ±1°</p> <p>BREAK ALL EDGES AND MACHINE ALL INSIDE CORNER FILLETS .015 MAX.</p> <p>SURFACE FINISH $\sqrt{125}$</p> <p>THIS DRAWING CONTAINS INFORMATION THAT IS CONFIDENTIAL AND PROPRIETARY TO HARTZELL ENGINE TECHNOLOGIES. THIS DRAWING IS FURNISHED ON THE UNDERSTANDING THAT THE DRAWING AND THE INFORMATION IT CONTAINS WILL NOT BE COPIED OR DISCLOSED TO OTHERS EXCEPT WITH THE WRITTEN CONSENT OF HARTZELL ENGINE TECHNOLOGIES, WILL NOT BE USED TO THE DETRIMENT OF HARTZELL ENGINE TECHNOLOGIES, AND WILL BE RETURNED UPON REQUEST BY HARTZELL ENGINE TECHNOLOGIES.</p>	<p>GEOMETRIC SYMBOLS PER ANSI Y14.5</p> <ul style="list-style-type: none"> FLATNESS STRAIGHTNESS ROUNDNESS CYLINDRICITY PROFILE PERPENDICULARITY POSITION CONCENTRICITY SYMMETRY ANGULARITY PARALLELISM CIRCULAR RUNOUT TOTAL RUNOUT 	<p>DRAWN</p> <p>EAB</p> <p>03/14/14</p>	 <p>2900 Selma Highway Montgomery, AL 36108</p>		
		<p>CHECKED</p> <p>ENG.</p> <p>FINISH</p> <p>WEIGHT</p> <p>MATERIAL</p>			<p>0.054 lbs</p> <p>STEEL</p>
<p>SCALE 1:1</p>	<p>SIZE A</p>	<p>SH 1 OF 1</p>	<p>CODE ID 65PY1</p>	<p>DRAWING NO. 41118</p>	<p>REV. NEW</p>

2

1

REVISIONS				
EN	REV.	DESCRIPTION	BY	DATE
1403016	A	1) REDRAWN IN SOLIDWORKS; 2) FIRST RELEASE INTO HET DESIGN DATA; 3) REPLACED TITLE BLOCK WITH HET TITLE BLOCK; 4) ADDED "AWG" DESIGNATIONS PER REDLINE; 5) ADDED NOTE 2 PER REDLINE	EAB	03/06/14

1. DISCONNECT AND REMOVE THE D.C. GENERATOR.
 2. DISCONNECT AND REMOVE THE REVERSE CURRENT RELAY.
 3. DISCONNECT AND REMOVE THE CARBON PILE VOLTAGE REGULATOR AND ITS MOUNTING BASE, RETAIN THE CPVR GROUND WIRE.
 4. DISCONNECT AND REMOVE GENERATOR WIRING HARNESS RETAINING WIRE P34.
 5. REMOVE GROUND WIRE NS1-8 AND NS1A-8 FROM THE LOADMETER SHUNT AND THE AIRFRAME, DO NOT DISCONNECT THE LEAD TO THE AIRCRAFT LOADMETER.
 - * 6. POSITION AND MOUNT THE VOLTAGE PROTECTOR (P/N SVP-4) ON THE INBOARD SIDE 1/4" BELOW THE TOP AND 4-1/2" FORWARD FROM THE AFT END OF THE ELECTRICAL JUNCTION BOX (DRILL MOUNTING HOLES AS REQUIRED).
 - * 7. POSITION AND MOUNT THE VOLTAGE REGULATOR (P/N J12M24) ON THE AFT END 1/4" BELOW THE TOP AND 1-3/8" FROM THE INBOARD SIDE OF THE ELECTRICAL JUNCTION BOX (DRILL MOUNTING HOLES AS REQUIRED). INSTALL 3 APPROX. 1/4" SPACER WASHERS BEHIND REGULATOR TO FACILITATE COOLING. IDEAL TEMPERATURE REGULATOR - 110°F OR LESS.
- NOTE: UNITS TO BE MOUNTED WITH NAME PLATES IN VERTICAL POSITION.
8. POSITION AND MOUNT THE 17-10 RESISTOR (150 OHM, 20 WATT) OVER THE ELECTRICAL JUNCTION BOX AIR OUTLET AREA. USE THE CENTER HOLE OF THE TOP ROW OF HOLES AS A MOUNTING HOLE FOR THE RESISTOR.
 9. INSTALL A FOUR TERMINAL BARRIER TERMINAL BLOCK IN THE ELECTRICAL JUNCTION BOX. TO BE LOCATED ON THE BOTTOM (INSIDE) OF THE JUNCTION BOX 4" FROM THE AFT END, 1" FROM THE INBOARD SIDE, AND MOUNTED PARALLEL TO THE LATERAL AXIS OF THE AIRCRAFT.
 - * 10. POSITION AND MOUNT THE VOLTAGE CONTROLLER (P/N J12M24SP) AS DEFINED IN STEP 7 FOR THE VOLTAGE CONTROLLER J12M24.

11. FABRICATE HARNESS (P/N 686) AND CONNECT IN ACCORDANCE WITH THE WIRING DIAGRAM PROVIDED. NO. 4 JUMPER CABLE (P51) GOES FROM THE NEGATIVE SIDE OF THE SHUNT TO THE A-1 STARTER RELAY. P50A FROM THE ALTERNATOR GOES TO POSITIVE SIDE OF THE SHUNT
 12. POSITION AND TIE ALL WIRES IN ACCORDANCE WITH ACCEPTED METHODS AND TECHNIQUES.
 13. INSTALL THE ALTERNATOR (P/N 7555) ONTO THE TRANSMISSION ON THE GENERATOR DRIVE MOUNTING PAD. POSITION THE ALTERNATOR ON THE TRANSMISSION WITH THE BLAST TUBE AT THE TWO O'CLOCK POSITION (WHEN VIEWED FROM THE CONNECTOR PLUG).
 14. REMOVE PLUG ON BLAST TUBE AIR OUTLET ON THE TOP OF ENGINES COOLING SHROUD ADJACENT TO THE OIL COOLER. FABRICATE A 685 ADAPTER AND A 2" AIR DUCT FROM THE COOLING SHROUD ADAPTER (685) TO THE BLAST TUBE CONNECTION ON THE ALTERNATOR.
 15. PREPARE THE AIRCRAFT FOR A GROUND TEST RUN.
- NOTE: DO NOT AT ANY TIME ATTEMPT TO "FLASH THE FIELD" OF THE ALTERNATOR AS SERIOUS DAMAGE MAY RESULT.
16. DURING THE GROUND RUN CHECK THE OUTPUT VOLTAGE OF THE ALTERNATOR, IF ADJUSTMENT IS REQUIRED, REMOVE OUTER COVER OVER ADJUSTING SCREW AND ADJUST POTENTIOMETER AS NECESSARY.
 17. INSTALL THE COVER ON THE ELECTRICAL JUNCTION BOX AND ALL OTHER SAFETIES REQUIRED.

User is responsible for verification of current revision before using this document. Document considered "reference only" if not the current revision.

* INSTRUCTIONS 6, 7, OR 10 ARE TO BE USED AS APPLICABLE TO THE ACTUAL UNITS TO BE INSTALLED. FOR SEPARATE VOLTAGE REGULATOR AND PROTECTOR, USE 6 & 7; FOR VOLTAGE CONTROLLER USE STEP 10.


SPECIFICATION CLASSIFICATION		
CLASSIFICATION	DIMENSION CONVENTION	NOTE NO. CONVENTION
CRITICAL	<XX.XX>	<#>
MAJOR	[XX.XX]	[#]
MINOR	XX.XX	#
REFERENCE	(XX.XX)	(#)

UNLESS OTHERWISE SPECIFIED
 DIMENSIONS ARE IN INCHES AND APPLY AFTER HEAT TREAT AND PLATING
 .X = ±.015
 .XX = ±.010 ANGLES ±1°
 .XXX = ±.005
 BREAK ALL EDGES AND MACHINE ALL INSIDE CORNER FILLETS .015 MAX.
 SURFACE FINISH 125/

THIS DRAWING CONTAINS INFORMATION THAT IS CONFIDENTIAL AND PROPRIETARY TO HARTZELL ENGINE TECHNOLOGIES. THIS DRAWING IS FURNISHED ON THE UNDERSTANDING THAT THE DRAWING AND THE INFORMATION IT CONTAINS WILL NOT BE COPIED OR DISCLOSED TO OTHERS EXCEPT WITH THE WRITTEN CONSENT OF HARTZELL ENGINE TECHNOLOGIES. WILL NOT BE USED TO THE DETRIMENT OF HARTZELL ENGINE TECHNOLOGIES. AND WILL BE RETURNED UPON REQUEST BY HARTZELL ENGINE TECHNOLOGIES.

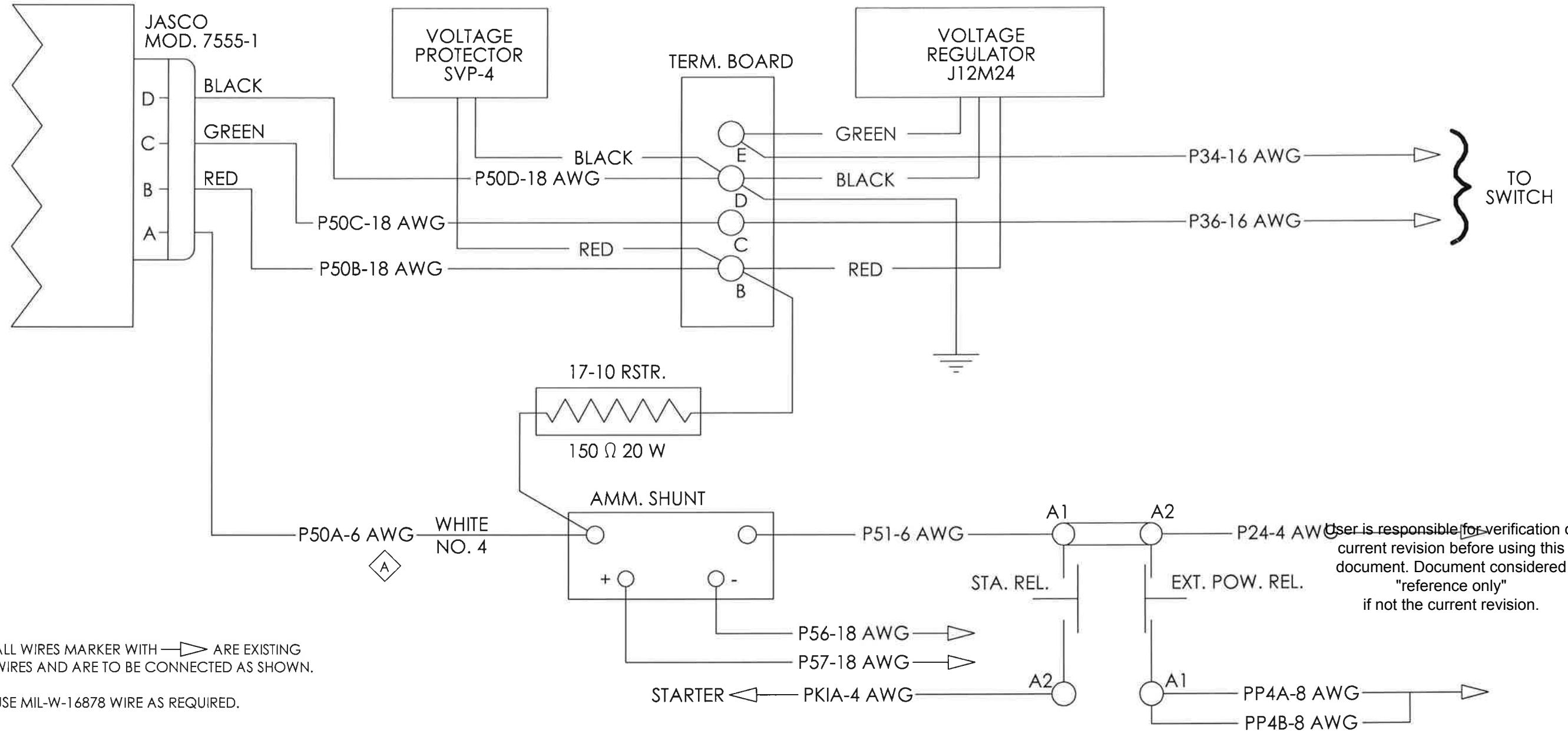
GEOMETRIC SYMBOLS PER ANSI Y14.5	
□	FLATNESS
— —	STRAIGHTNESS
○	ROUNDNESS
○	CYLINDRICITY
— —	PROFILE
⊥	PERPENDICULARITY
⊕	POSITION
◎	CONCENTRICITY
≡	SYMMETRY
∠	ANGULARITY
∥	PARALLELISM
↺	CIRCULAR RUNOUT
↻	TOTAL RUNOUT

DRAWN	EAB	03/06/14
CHECKED	<i>[Signature]</i>	03/10/14
ENG.	<i>[Signature]</i>	3/18/14
FINISH	N/A	
WEIGHT	N/A lbs	
MATERIAL	N/A	
SIZE	SH 1 OF 2	CODE ID 65PY1
B		

 2900 Selma Highway Montgomery, AL 36108		INSTALLATION INSTRUCTIONS AND DRAWING

SCALE 1:1

ALTERNATOR



User is responsible for verification of current revision before using this document. Document considered "reference only" if not the current revision.

NOTES:

1. ALL WIRES MARKER WITH ARE EXISTING WIRES AND ARE TO BE CONNECTED AS SHOWN.
2. USE MIL-W-16878 WIRE AS REQUIRED.

SPECIFICATION CLASSIFICATION		
CLASSIFICATION	DIMENSION CONVENTION	NOTE NO. CONVENTION
CRITICAL	<XX.XX>	-#>
MAJOR	[XX.XX]	[#]
MINOR	XX.XX	#
REFERENCE	(XX.XX)	(#)

UNLESS OTHERWISE SPECIFIED
 DIMENSIONS ARE IN INCHES AND APPLY AFTER HEAT TREAT AND PLATING
 .X = ±.015
 .XX = ±.010 ANGLES ±1°
 .XXX = ±.005
 BREAK ALL EDGES AND MACHINE ALL INSIDE CORNER FILLETS .015 MAX.
 SURFACE FINISH $\sqrt{25}$
 THIS DRAWING CONTAINS INFORMATION THAT IS CONFIDENTIAL AND PROPRIETARY TO HARTZELL ENGINE TECHNOLOGIES. THIS DRAWING IS FURNISHED ON THE UNDERSTANDING THAT THE DRAWING AND THE INFORMATION IT CONTAINS WILL NOT BE COPIED OR DISCLOSED TO OTHERS EXCEPT WITH THE WRITTEN CONSENT OF HARTZELL ENGINE TECHNOLOGIES. WILL NOT BE USED TO THE DETRIMENT OF HARTZELL ENGINE TECHNOLOGIES, AND WILL BE RETURNED UPON REQUEST BY HARTZELL ENGINE TECHNOLOGIES.

GEOMETRIC SYMBOLS PER ANSI Y14.5	
	FLATNESS
	STRAIGHTNESS
	ROUNDNESS
	CYLINDRICITY
	PROFILE
	PERPENDICULARITY
	POSITION
	CONCENTRICITY
	SYMMETRY
	ANGULARITY
	PARALLELISM
	CIRCULAR RUNOUT
	TOTAL RUNOUT

DRAWN	EAB	03/06/14
CHECKED	<i>DJA</i>	3/18/14
ENG.	<i>CMB</i>	3/18/14
FINISH	N/A	
WEIGHT	N/A lbs	
MATERIAL	N/A	
SIZE	SH 2 OF 2	CODE ID 65PY1

2900 Selma Highway Montgomery, AL 36108		INSTALLATION INSTRUCTIONS AND DRAWING	